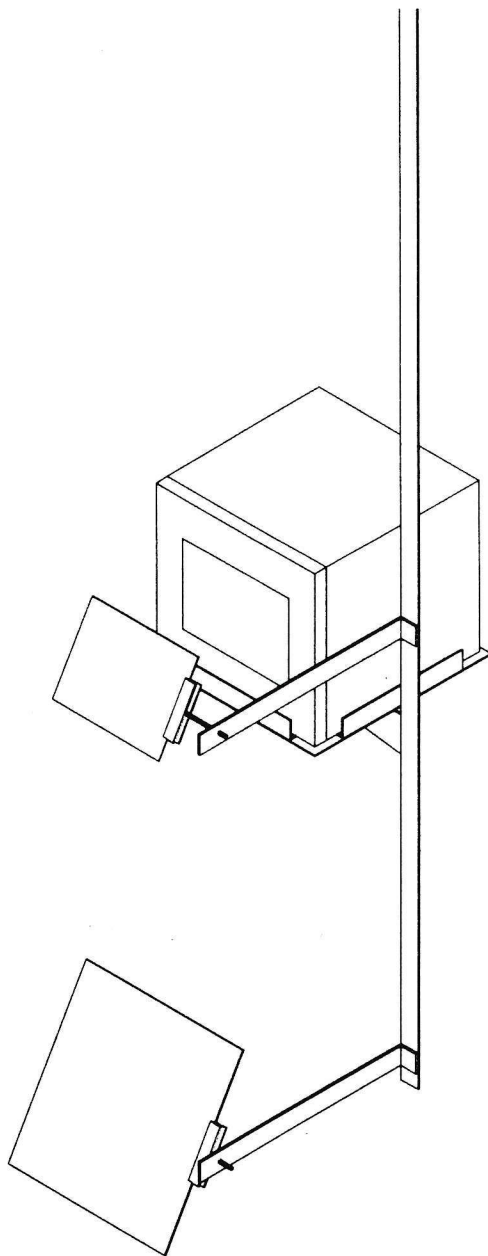
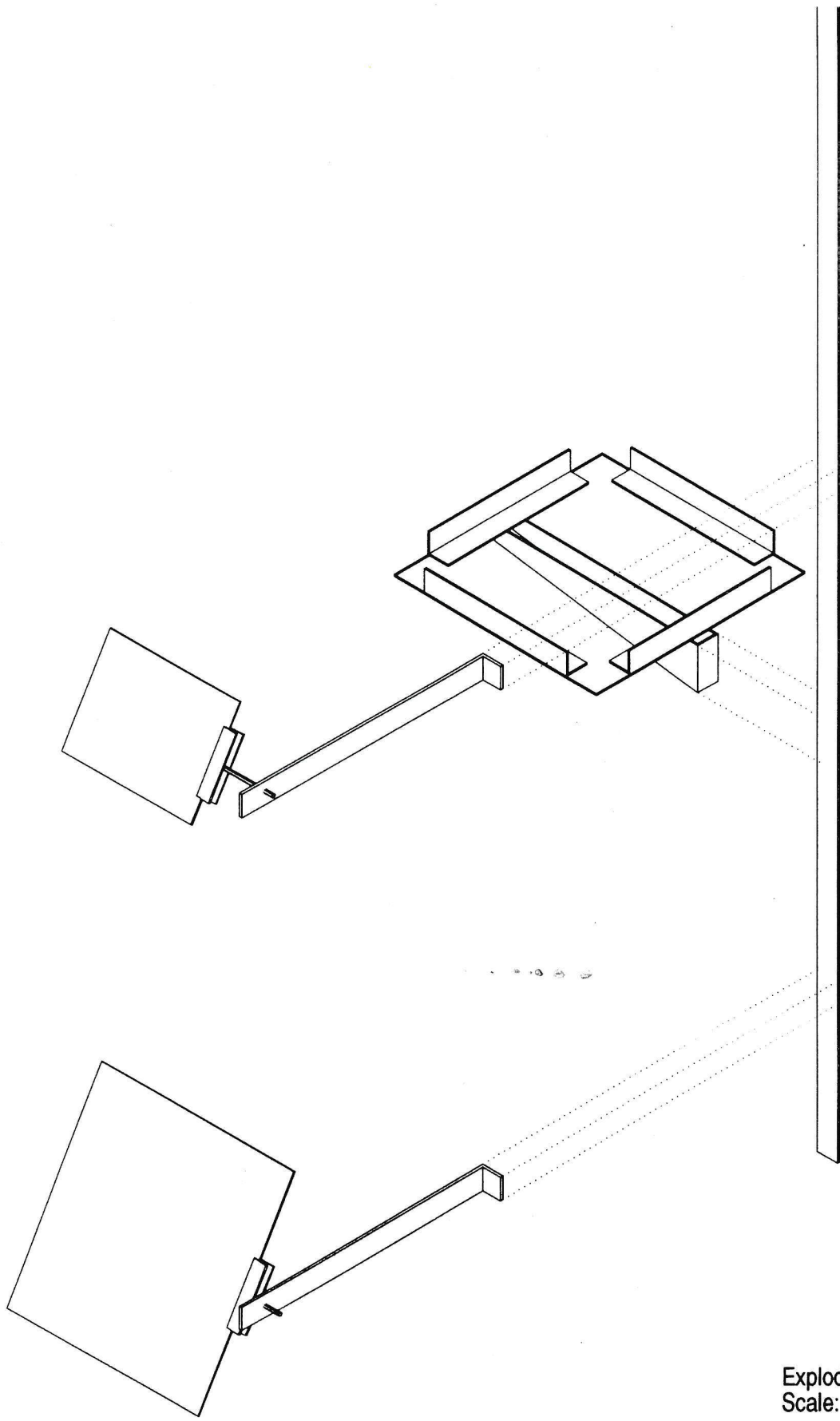


Plan View



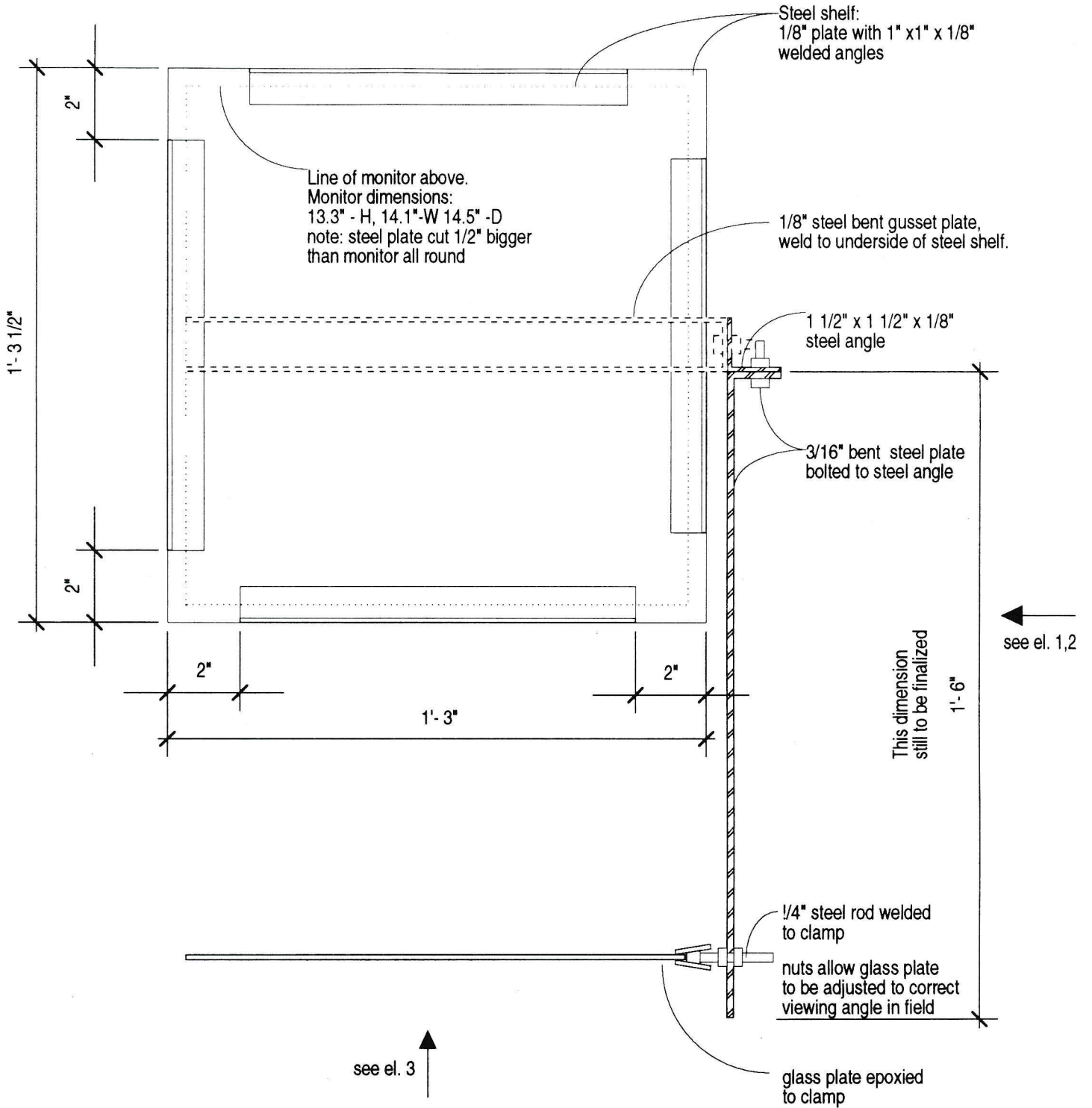
Axonometric View

Laura Kurgan, Architect
Aug 3, 1993



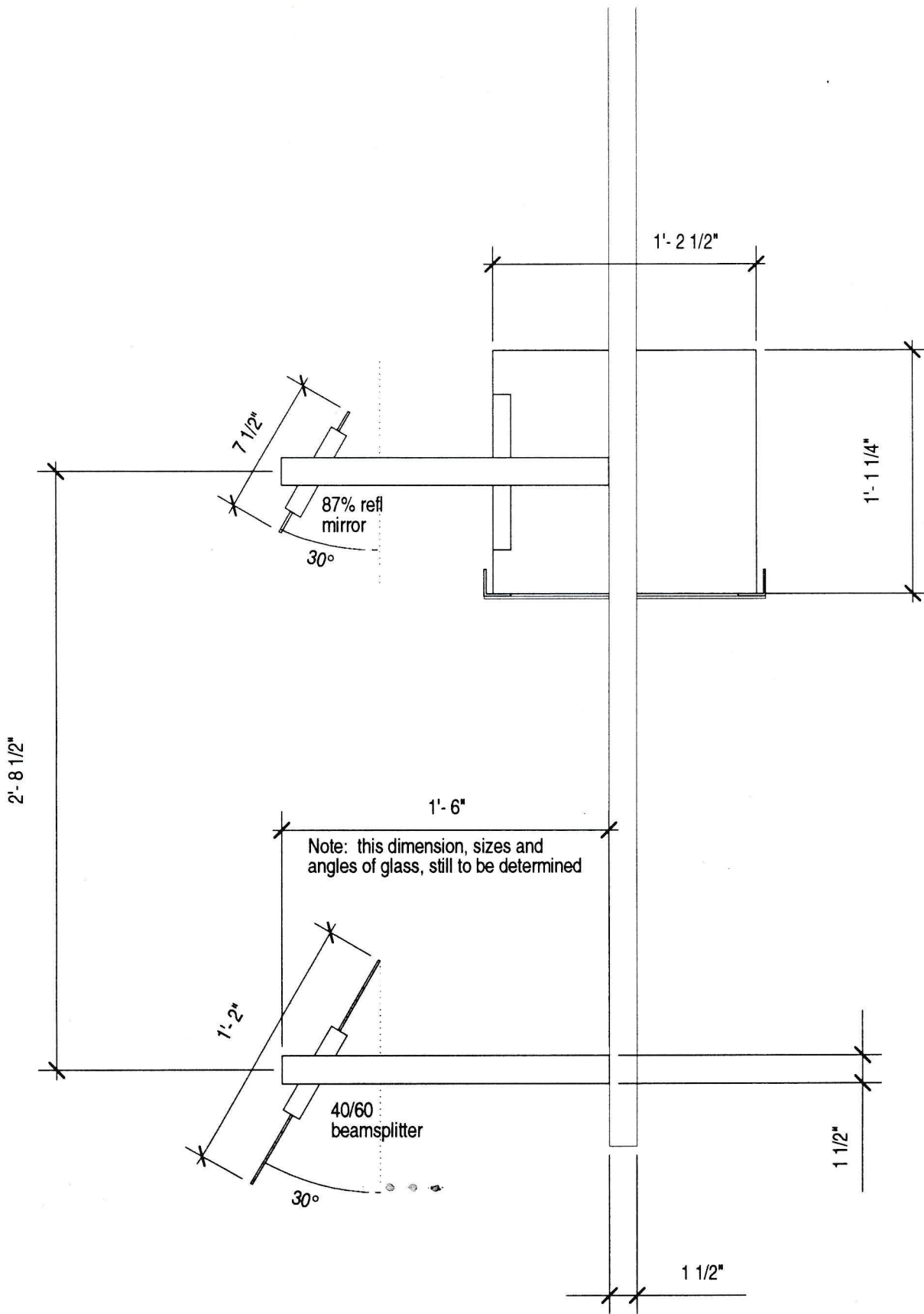
Exploded Axonometric--Detail
Scale: 1 1/2" = 1'-0"

Laura Kurgan, Architect
Aug 3, 1993



Plan Detail:
 Scale 3"=1'-0"

Laura Kurgan, Architect
 Aug 3, 1993



2. Side Elevation--Detail
 Scale: 1 1/2" = 1'-0"

Laura Kurgan, Architect
 Aug 3, 1993